

# AFL3-W07A-BT

Intel® Celeron® N2807 (Dual Core, 1.58 GHz)

# AFL3-08A-BT

Intel® Celeron® J1900 (Dual Core, 2.0 GHz)



## Features

- W7"~8.4" light industrial interactive panel PC
- 9 V ~ 30 V wide range DC input with lockable DC jack
- Selectable AT/ATX power mode
- Built-in speakers
- One mSATA slot
- IP64/IP65 compliant front panel
- IEI One Key Recovery solution allows you to create rapid OS backup and recovery (suggested with over 4GB storage capacity)



## Specifications

| Model                 |  | AFL3-W07A-BT  | AFL3-08A-BT <span style="float: right;"><b>New</b></span>   |
|-----------------------|--|---|---|
| LCD                   | Size   | 7"  | 8.4"  |
|                       | Resolution   | 1024 x 600 (16:9)   | 800 x 600 (4:3)   |
|                       | Brightness (cd/m <sup>2</sup> )  | 500   | 450   |
|                       | Contrast Ratio   | 700:1   | 600:1   |
|                       | LCD Color  | 16.2M   | 16.2M   |
|                       | Pixel Pitch (mm)   | 0.0635 (H) x 0.1905 (V)                                       | 0.213 (H) x 0.213 (V)   |
|                       | Viewing Angle (H-V)  | 150° / 145°   | 160° / 140°   |
|                       | Backlight MTBF(hrs)  | 20000 hrs   | 50000 hrs   |
| Touch                 | Touch Screen   | Projected capacitive type                                     | Resistive Touch Window/Projected capacitive type  |
|                       | Touch Controller   | EETI EXC3160  | PenMount DMC 9000/EETI EXC3160  |
| Motherboard           | CPU  | Intel® Celeron® N2807 (dual core, 1.58 GHz)                   | Intel® Celeron® J1900 (quad core, 2.0 GHz)  |
|                       | RAM  | 2GB DDR3L onboard RAM/<br>4GB DDR3L onboard RAM               | One 204-pin 2 GB 1333MHz single-channel, 2GB DDR3L SDRAM pre-installed (system max. 8GB)  |
|                       | Ethernet   | 2 x PCIe GbE by RTL8111E controller                           | 2 x PCIe GbE by RTL8111E controller   |
|                       | Audio Codec  | ALC892  | ALC892  |
| Storage               | mSATA  |   |   |
| I/O Ports & Switch    | 2 x RS-232 COM port (DB-9 connector)<br>2 x USB 3.0<br>2 x GbE LAN<br>1 x Power switch<br>1 x Reset button<br>1 x AT/ATX switch<br>1 x 9-30V Lockable power jack |   | 1 x RS-232 COM port (RJ-45 connector)<br>1 x RS-232/422/485 COM port (DB-9 connector) (RI/5V/12V)<br>2 x USB 3.0<br>2 x RJ-45 for GbE LAN<br>1 x Power switch<br>1 x Audio port (line-out)<br>1 x Reset button<br>1 x AT/ATX switch<br>1 x 9-30V DC Lockable power jack |
|                       | Audio  | AMP 2W (internal speaker, left channel output)                | AMP 2W + 2W (internal speaker)  |
| Camera and Microphone | N/A  |   | 2-megapixel with low light function, digital microphone   |
| Wireless & Bluetooth  | IEEE 802.11 a/b/g/n/ac, Bluetooth V4.0   |   | IEEE 802.11 a/b/g/n/ac  |
| OSD Function          | Software OSD   |   |   |
| Physical              | Front Panel Construction   | PC + ABS Plastic  |   |
|                       | Mounting   | Panel, Wall, Stand, Arm, Rack<br>VESA 75mm x 75mm             |   |
|                       | Color  | Black C   |   |
|                       | Dimensions (WxHxD) (mm)  | 191 x 127 x 43  | 233 x 175 x 50  |
|                       | Cut-out Dimensions (WxH) (mm)  | 182 x 111   | 207 x 143   |
|                       | Net/Gross Weight (kgs)   | 0.73/1.81   | 0.8/2.44  |
| Environment           | Operating Temperature (°C) (Ambient with air flow)   | -20°C~50°C  | -15°C~55°C  |
|                       | Storage Temperature (°C)   | -20°C~60°C  | -20°C~65°C  |
|                       | Humidity   | 10% to 95% (non-condensing)                                   |   |
|                       | IP Level   | IP 65 compliant front panel                                   | IP 64 compliant front panel   |
| Power                 | Safety&EMC   | CE / FCC  |   |
|                       | Thermal Solution   | Fanless   |   |
|                       | Power Requirement  | 9 V ~ 30 V  |   |
|                       | Power Consumption  | 12V@2.08<br>(Intel® N2807 CPU with 2GB 1333 MHz DDR3L memory) | 12V@2A<br>(Intel® J1900 CPU with 2GB 1333 MHz DDR3L memory)   |

## Ordering Information

| Part No.                     | Description   |
|------------------------------|---|
| AFL3-W07A-BT-N1/PC/2G-R12    | 7" 500 cd/m <sup>2</sup> 1024 x 600 HD fanless panel PC with Intel® Celeron® N2807 dual core 1.58 GHz, 802.11a/b/g/n/ac, projected capacitive touch screen, on-board 2GB DDR3L RAM, R12             |
| AFL3-W07A-BT-N1/PC/4G-R12    | 7" 500 cd/m <sup>2</sup> 1024 x 600 HD fanless panel PC with Intel® Celeron® N2807 dual core 1.58 GHz, 802.11a/b/g/n/ac, projected capacitive touch screen, on-board 4GB DDR3L RAM, R12             |
| AFL3-W07A-BT-N1/PC/2G/MF-R12 | 7" 500 cd/m <sup>2</sup> 1024 x 600 HD fanless panel PC with Intel® Celeron® N2807 dual core 1.58 GHz, 802.11a/b/g/n/ac, projected capacitive touch screen, on-board 2GB DDR3L RAM, Mifare RFID,R12 |
| AFL3-08A-BT-J1/PC/2G-R10     | 8.4" 450cd/m <sup>2</sup> SVGA fanless panel PC with Intel® Celeron® J1900 quad core 2 GHz, 802.11a/b/g/n/ac wireless module, projected capacitive touch screen, 2GB DDR3L RAM, R10                 |
| AFL3-08A-BT-J1/R/2G-R10      | 8.4" 450cd/m <sup>2</sup> SVGA fanless panel PC with Intel® Celeron® J1900 quad core 2 GHz, 802.11 a/b/g/n/ac wireless module, resistive touch window, 2GB DDR3L RAM,R10                            |

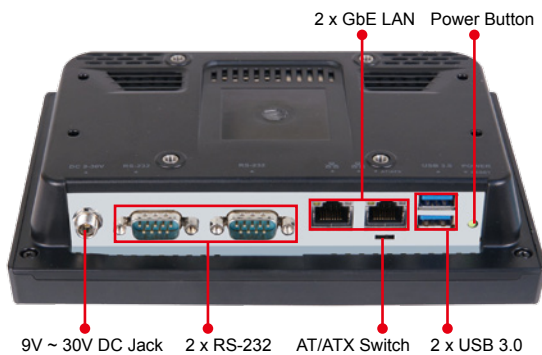
## Options

| Item                                | AFL3-W07A-BT                              | AFL3-08A-BT   |
|-------------------------------------|---|---|
| Panel Mounting Kit                  | AFL3PK-W07A-R10                           | AFL3PK-W07A-R10   |
| Wall Mounting Kit                   | AFLWK-12                                  | AFLWK-12  |
| Rack Mounting Kit                   | AFL3RK-W07A-R10                           | AFL3RK-08A-R10  |
| Arm                                 | ARM-11-RS/ARM-31-RS                       | ARM-11-RS/ARM-31-RS   |
| Stand                               | STAND-B08/STAND-100-RS                    | STAND-B08/STAND-100-RS  |
| V-Stand                             | VSTAND-A07-R11                            | VSTAND-A10-R11  |
| Magnetic Card Reader                | AFL3P-W7MSR-U-R10                         | AFL3P-W10MSR-U-R10  |
| Barcode Scanner                     | N/A                                       | AFL3-2D-R10   |
| RFID Reader (13.56 MHz Mifare Type) | AFL3-W07A-BT-N1/PC/2G/MF-R12              | N/A (Customized by project base)  |
| OS: Win 7 Embedded (64-bit)         | AFL3-W07A-BT-WES7P64-R11 (for PCAP touch) | AFL3-W07A-BT-WES7P64-R11 (for PCAP touch)<br>AFL3-W07A-BT-WES7E64-R11 (for Resistive touch) |
| OS: Win 8 Embedded (64-bit)         | AFL3-W07A-BT-WE8S64-R10                   |   |

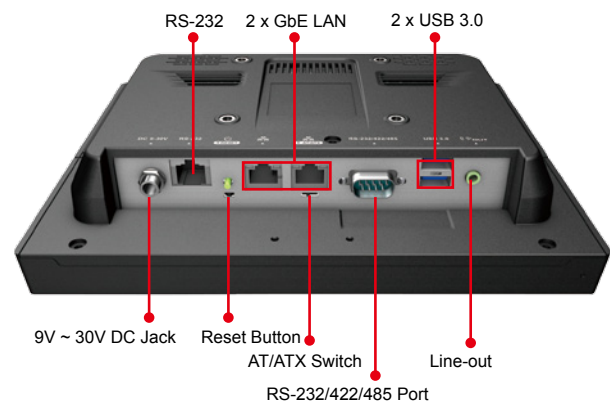
## Packing List

| Item                     | Part No.            | Q'ty | Description  |
|--------------------------|---------------------|------|--|
| One Key Recovery DVD     | 7B000-001083-RS     | 1    |  |
| Setting kit              | 46003-002600-RS     | 2    |  |
| Round head machine screw | 44003-020041-RS     | 2    | M2*4 round head machine screw                      |
|                          | 44003-020041-RS     | 4    | M2*4 round head machine screw                      |
| Pan head machine screw   | 44403-040061-RS     | 4    | M4*6 pan head machine screw                        |
| Fix holder               | 46003-009500-RS     | 2    |  |
| Power cord               | 32702-000400-200-RS | 1    |  |
|                          | 32702-000200-100-RS | 1    |  |
| Power adapter            | 63040-010036-121-RS | 1    | 36W; Vin: 90V~264V AC; Vout: 12VDC; Φ2.5/Φ5.5/lock |
| Driver CD                |                     | 1    |  |
| Touch pen                | 43125-0002C0-00-RS  | 1    | Resistive touch screen only                        |

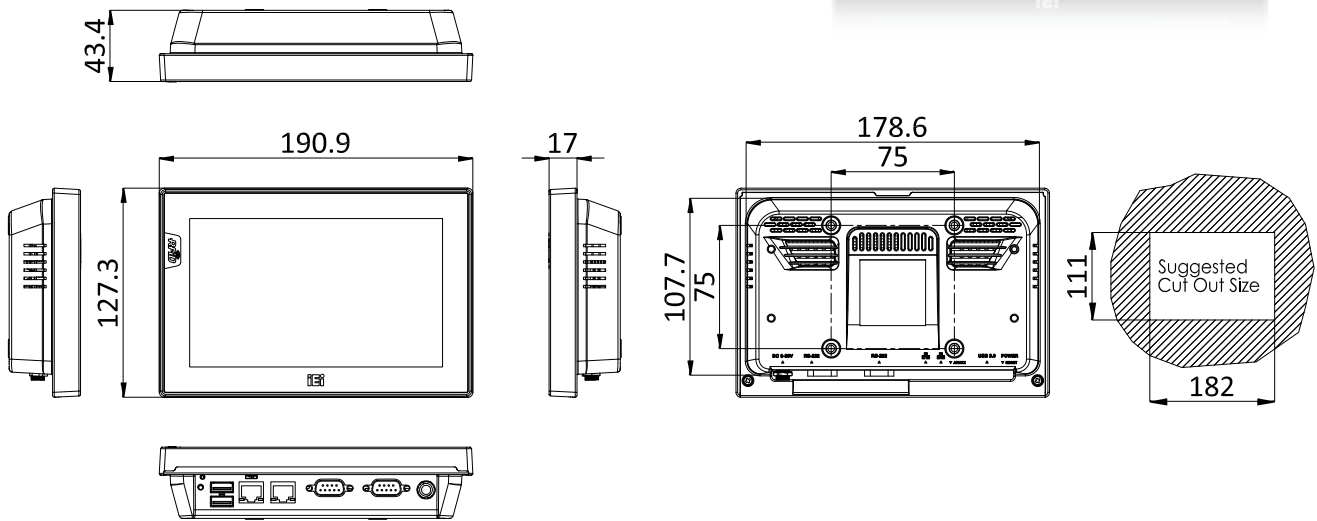
### AFL3-W07A Fully Integrated I/O



### AFL3-08A Fully Integrated I/O



**AFL3-W07A-BT**  
Dimensions (Unit: mm)



**AFL3-08A-BT**  
Dimensions (Unit: mm)

